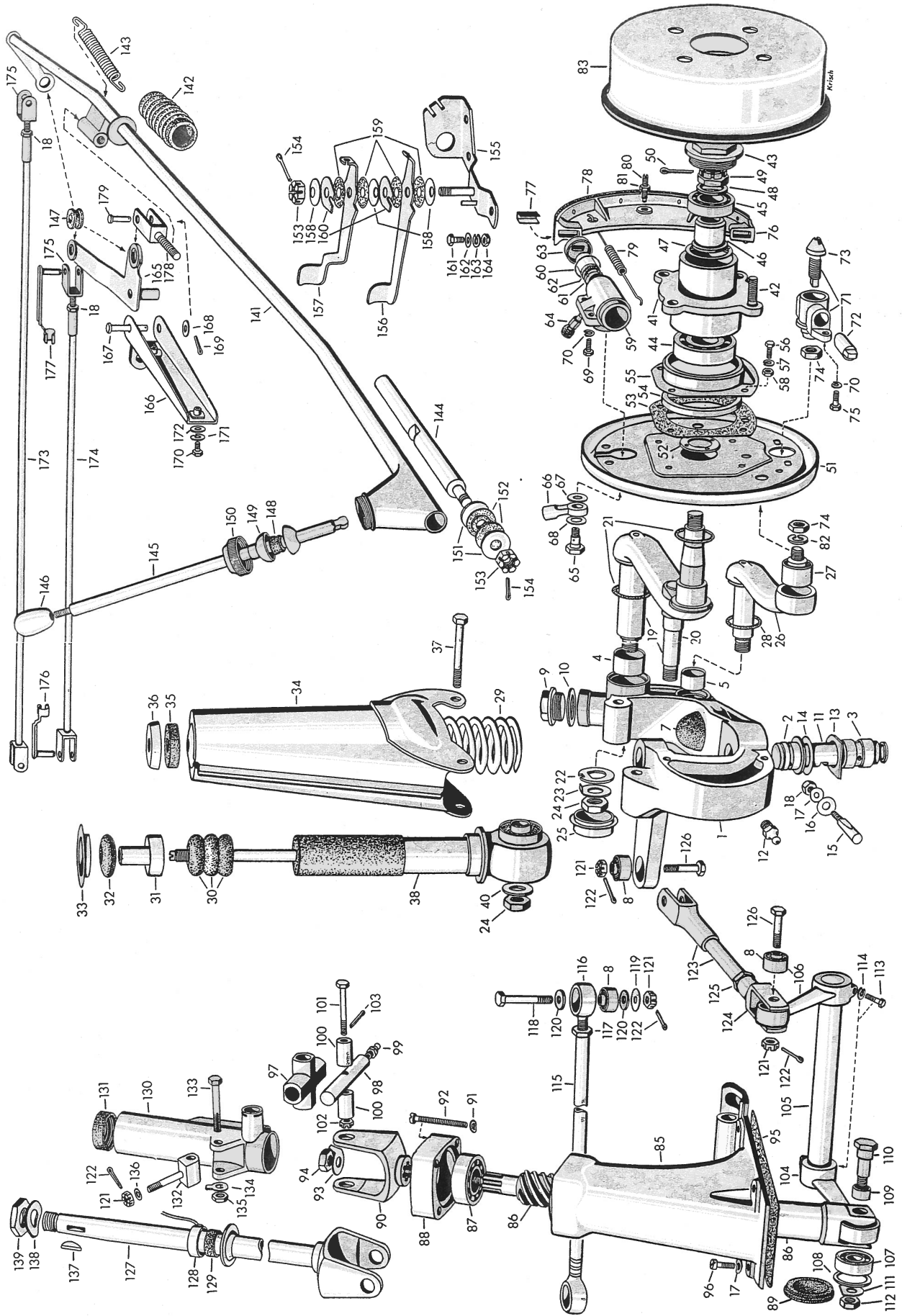


20 = Front Axle and Steering assembly

Isetta Export 57



20 = Front axle and steering assembly / Front axle

Plate 3

Part No.	Key No.	Description	Qty.
Front axle			
20 06 059	—	front axle, left, on later models part No. 20 06 057	1
20 06 063	—	front axle, right	1
Steering knuckle:			
20 26 060	1	steering knuckle, left, with bushings	1
20 26 065	—	steering knuckle, right, with bushings	1
20 26 502	2	upper bushing, front	2
20 26 576	—	shim 0,38 mm	as req.
20 26 578	—	shim 0,5 mm	as req.
20 26 507	3	lower bushing, front, oversize	as req.
20 26 509	4	upper bushing, rear, oversize	as req.
20 26 506	5	lower bushing, rear, for brake plate stay	4
20 26 510	5	lower bushing, rear, oversize	as req.
20 54 530	7	rubber stop	2
20 26 508	8 ^N	silentbloc, on later models part No. 20 27 506	1
Oil filler cap of steering knuckle:			
99 19 255	9	lock screw AM 26×1,5—6 S pho.black.	2
99 63 437	10	seal ring C 26×32 steel-asbestos	2
Front wheel suspension:			
20 26 572	11	steering knuckle pin	2
99 60 655	12	grease nipple A 10, galv., for steering knuckle pin	4
20 26 595	13	washer for steering knuckle pin, below	2
Washers for steering knuckle pin, above:			
20 26 597	—	1,8 mm	2
20 26 598	—	1,9 mm	
20 26 599	—	2 mm	
20 26 576	14	0,38 mm	2
20 26 578	14	0,5 mm	

20 = Front axle and steering assembly / Front axle		Plate 3	
Part No.	Key No.	Description	Qty
		Spring housing:	
20 54 550	34	spring housing with brackets	2
30 54 208	(35)	rubber stop for spring housing to shock absorber	2
30 54 210	36	retainer for spring housing to shock absorber, above	2
		For spring housing to steering knuckle:	
99 12 530	37	hex. screw M 8×60—10 K pho.black.	4
99 22 082	—	hex. nut M 8—6 S pho.black.	4
		Shock absorber:	
20 54 061	(38)	shock absorber	2
20 54 539	—	silentbloc	2
		For shock absorber to control arm:	
99 31 089	40	washer 15 cad.	2
99 21 630	24	hex. nut M 14×1,5—6 S pho.black.	2
		Wheel hub with bearing:	
20 30 050	41	wheel hub with bolts	2
20 31 500	42	bolt	8
20 30 526	43	cap for wheel hub, left an right	2
99 81 218	44	ball bearing 6204	2
99 81 213	45	ball bearing 6203	2
20 30 514	46	spacer for ball bearing	2
		Shim for ball bearing:	
20 30 520	47	0,18 mm	2
20 30 521	47	0,20 mm	2
20 30 522	47	0,24 mm	2
		For wheel hub to control arm:	
99 31 681	48	washer 15 st. pho.black.	2
99 23 456	49	castellated nut M 14×1,5—6 S pho.black.	2
99 45 180	50	split pin 3×28 st.	2

20 = Front axle and steering assembly / Front axle		Plate 3	
Part No.	Key No.	Description	Qty
		For securing knuckle pin to front axle:	
20 26 591	15	splined screw	2
40 00 131	16	washer	2
99 32 091	17	spring washer B 8	2
99 22 082	18	hex. screw M 8—6 S pho.black.	2
		Control arm:	
20 06 065	19	control arm with pin	2
20 26 516	16	pin	2
		For control arm to steering knuckle, left and right:	
20 54 545	21	rubber washer	4
20 54 565	22	washer	2
20 26 528	23	lock plate	2
99 21 630	24	hex. nut M 14×1,5—6 S pho.black.	2
20 54 541	25	cap	2
		Brake plate stay:	
20 26 080	26	brake plate stay	2
20 54 514	27	silentbloc	2
		For brake plate stay to steering knuckle:	
20 54 560	28	rubber washer	2
20 54 565	22	washer	2
20 26 528	23	lock plate	2
99 21 630	24	hex. screw M 14×1,5—6 S pho.black.	2
20 54 541	25	cap	2
		Front axle suspension:	
20 54 521	29	front spring	2
20 54 528	(30)	rubber ring	6
30 54 200	31	retainer	2
30 54 204	(32)	equalizing rubber	2
20 54 526	33	centre ring	2

20 = Front axle and steering assembly / Front wheel brake / Steering		Plate 3	
Part No.	Key No.	Description	Qty.
		Lower brake shoe bearing:	
20 60 536	71	lower brake shoe bearing with thrust piece and adjusting screw	2
20 60 544	72	thrust piece	4
20 60 548	73	adjusting screw	2
99 21 626	74	hex. nut M 12X1,5—6 S pho.black.	2
		For lower brake shoe bearing to back plate:	
99 33 070	70	spring washer A 6	4
99 13 418	75	hex. screw M 6X8—8 G pho.black.	4
		Front brake shoe:	
20 60 553	76	front brake shoe with thrust plate and lining	4
30 60 548	77	thrust plate	8
20 60 560	78	brake shoe lining	4
99 49 213	—	rivet C 3X10 for lining	32
20 60 564	79	brake shoe spring	4
		For brake shoe support:	
99 04 352	80	threaded pin M 6X30—5 S pho.black.	4
99 22 054	81	hex. nut M 6—6 S pho.black.	4
		For back plate to back plate support:	
99 21 626	74	hex. nut M 12X1,5—6 S pho.black.	2
99 33 120	82	spring washer A 12	2
20 60 568	(83)	brake drum	2
		Steering	
		Steering gear assembly:	
20 70 059	85	steering gear housing	1
20 71 550	—	sealing base for clutch pedal	1
20 71 553	—	sealing base for accelerator and brake pedal	1

20 = Front axle and steering assembly / Front wheel brake		Plate 3	
Part No.	Key No.	Description	Qty.
		Front wheel brake	
20 60 513	—	back plate, front right	1
20 60 510	51	back plate, front left	1
20 54 527	52	washer for back plate	2
20 60 590	—	bushing for back plate flange	2
99 60 655	—	grease nipple for back plate flange, A 10 galv.	2
		Wheel hub sealing to back plate:	
20 60 521	53	gasket between brake plate and cap	2
20 60 525	54	seal ring, on later models part No. 20 60 526	2
20 60 532	55	cap, left	1
20 60 529	—	cap, right	1
		For cap to back plate, left and right:	
99 13 079	56	hex. screw M 4X8—8 pho.black.	8
99 33 035	57	spring washer A 4	8
99 22 026	58	hex. nut M 4—6 S	8
		Wheel brake cylinder:	
20 60 060	—	wheel brake cylinder, compl.	2
20 60 570	59	brake cylinder housing, front	1
20 60 573	60	ring	2
20 60 576	61	piston	2
20 60 582	62	sleeve	2
20 60 579	63	dust cap	2
20 60 585	64	breather valve	1
90 23 164	65	hollow screw	1
20 60 588	66	ring holder	1
99 63 106	67	seal ring A 10X16 Cu	1
99 63 132	68	seal ring A 12X16 Cu	1
		For wheel brake cylinder to back plate, above:	
99 13 439	69	hex. screw M 6X12—8 G pho.black.	4
99 33 070	70	spring washer A 6	4

20 = Front axle and steering assembly / Steering			Plate 3
Part No.	Key No.	Description	Qty.
		For steering gear arm to steering nut:	
99 83 010	107	self-aligning bearing	1
20 80 514	108	washer	2
20 80 518	109	bushing	1
20 80 523	110	hex. screw	1
20 80 526	111	lock plate	1
20 80 530	112	hex. nut	1
		for steering arm to steering shaft, left, and for steering gear arm to steering shaft, right:	
99 12 466	113	hex. screw M 8×32—8 G pho.black.	2
99 33 087	114	spring washer A 8	2
		Center and lateral track rod:	
		Center track rod:	
20 76 060	115	center track rod	1
20 76 511	116	track rod head, movable	1
20 76 515	117	counter nut	1
20 26 508	8	silentbloc, 18 mm width, on later models 28 mm width, part No. 20 27 506	2
		For center track rod between left an right steering knuckle:	
20 76 519	118	hex. screw	2
20 76 525	119	washer	2
99 31 075	120	washer 10,5 pho.black.	4
99 23 431	121	castellated nut M 10—6 S pho.black.	2
99 45 115	122	split pin 2×22 st.	2
		Lateral track rod:	
20 76 056	123	lateral track rod, sold.	1
20 76 510	124	track rod head, movable	1
20 76 514	125	counter nut	1

20 = Front axle and steering assembly / Steering			Plate 3
Part No.	Key No.	Description	Qty.
20 70 510	86	steering nut with screw	1
99 83 256	87	self-aligning bearing 2303	1
20 70 521	88	steering gear housing cover	1
20 80 549	89	rubber plug for opening of steering gear housing	1
20 70 524	90	universal joint fork	1
		For cover to steering gear housing:	
99 32 071	91	spring washer B 6	4
99 19 495	92	cylinder stud M 6×35—5 S pho.black.	4
		For universal joint fork to steering screw:	
20 70 528	93	lock plate	1
99 22 111	94	hex. nut M 10—6 S pho.black.	1
		For steering gear, housing on frame:	
99 32 091	17	spring washer B 8 pho.black.	4
99 19 977	96	cylinder stud M 8×25—8 G pho.black.	4
		Universal joint:	
20 78 510	97	universal joint	1
20 78 514	98	joint pin	1
99 60 605	99	grease nipple A 6 galv.	1
20 78 518	100	bushing for joint pin	2
20 78 522	101	hex. screw without shoulder	1
20 78 523	—	hex. screw with shoulder	1
99 23 403	102	castellated nut M 6—6 S pho.black.	1
99 45 065	103	split pin 1,5×15 st.	1
		Steering arms and steering shaft:	
20 80 510	104	steering gear arm	1
20 80 534	105	steering shaft	1
20 80 543	106	steering arm with silentbloc	1
20 26 508	8	silentbloc, 18 mm width, on later models 28 mm width, part No. 20 27 506	1

20 = Front axle and steering assembly / Gear change mechanism		Plate 3	
Part No.	Key No.	Description	Qty.
99 51 480	137	For steering wheel to column:	
99 32 170	138	plate spring 5X6,5	1
99 21 645	139	spring washer B.18	1
		hex. nut M 18X1,5—6 S pho.black.	1
Gear change mechanism			
20 86 054	—	compl. bearing of gear change lever with gear change rod and lever	1
20 86 051	141	gear change rod	1
20 88 544	142	sleeve for gear change rod	1
20 90 536	143	spring for gear change rod	1
20 86 560	—	clip for spring	1
20 86 550	144	gear change bolt in gear changing rod	1
20 86 555	145	gear change lever with ball head	1
20 86 578	146	button for gear change lever	1
10 66 592	147	bushing for gear change rod, rear	1
Gear change lever joint:			
20 86 566	148	rubber cap	1
20 86 570	149	cap	1
20 86 574	150	lock cap	1
For gear changing bolt to support of starter and heater lever:			
20 86 594	151	spacer	2
20 86 598	152	support ring	2
99 23 412	153	castellated nut M 8—6 S pho.black.	1
99 45 110	154	split pin 2X20 st.	1
Support with starter and heater lever:			
20 88 056	155	Support for gear changing bolt	1
20 88 520	156	heater lever	1
20 88 541	157	choke lever	1

20 = Front axle and steering assembly / Steering		Plate 3	
Part No.	Key No.	Description	Qty.
For lateral track rod to steering gear arm and left steering knuckle:			
20 76 518	126	hex. screw	2
99 23 431	121	castellated nut M 10—6 S pho.black.	2
99 45 115	122	split pin 2X22 st.	2
Steering column:			
20 82 051	—	steering column ready for fitting	1
20 82 055	127	steering column	1
20 82 520	128	contact ring with conduit	1
99 76 461	—	conduit B 1X220 brown	1
20 82 530	129	insulating ring	1
20 82 526	—	clamp	1
20 12 527	—	stop washer	1
99 16 359	—	oval head screw AM 6X20—5 D	1
20 82 534	130	guide for steering column	1
20 82 538	131	ring for steering column guide, above	1
20 82 542	132	bolt for fixing of guide	1
For bolt to steering column guide:			
20 82 546	133	hex. screw	1
20 82 548	134	lock plate	1
99 22 110	135	hex. nut M 10—6 S cad.	1
For bolt to instrument housing:			
99 23 431	121	castellated nut M 10—6 S	1
99 45 140	122	split pin 2,5X20 st.	1
99 63 107	136	seal ring A 10X16 st. pho.black.	1
Steering wheel:			
20 82 060	—	steering wheel with horn button	1
20 82 558	—	horn button	1

20 = Front axle and steering assembly / Gear change mechanism			Plate 3
Part No.	Key No.	Description	Qty.
		Intermediate rods for gear changing and regulating lever:	
20 90 584	173	intermediate rod for regulating lever	1
20 90 560	174	intermediate rod for gear changing lever	1
20 90 572	175	forkhead screw	2
99 22 082	18	hex. nut M 8—6 S pho.black.	2
40 40 575	176	spring pin, short	2
40 40 577	177	spring pin, long	2
		For intermediate lever to gear change rod:	
10 66 592	—	bushing	1
20 90 542	178	forkhead screw	1
99 40 424	179	bolt 8 h 11×28×23,5 K 35 K pho.black.	1
99 31 066	168	washer 8,4 pho.black.	1
99 45 095	169	split pin 2×15 st.	1

20 = Front axle and steering assembly / Gear change mechanism			Plate 3
Part No.	Key No.	Description	Qty.
20 88 524	158	retainer	3
20 88 528	159	friction washer	4
20 88 532	160	resistance plate	2
99 23 412	153	castellated nut M 8—6 S pho.black.	1
99 45 110	154	split pin 2×20 st.	1
20 88 548	—	bowden cable for starter control	1
20 88 552	—	grommet for cable in rear wall	1
		For support to left front wheel housing:	
99 13 227	161	hex. screw M 5×12—8 G pho.black.	3
99 31 034	162	washer 5,3 pho.black.	3
99 33 058	163	spring washer B 5	3
99 22 036	164	hex. nut M 5—6 S pho.black.	3
22 88 536	—	spacer for choke lever holder on vehicles without heating	1
		Intermediate lever for gear changing linkage:	
20 90 051	165	intermediate lever	1
20 90 510	166	support for intermediate lever	1
10 66 592	147	rubber bushing for intermediate lever	2
		For intermediate lever to support:	
99 40 475	167	bolt 8 h 11×40×36,5 pho.black.	1
99 31 066	168	washer 8,4 pho.black.	1
99 45 095	169	split pin 2×15 st.	1
		For fixing support to rear wall:	
99 13 457	170	hex. screw M 6×15—8 G pho.black.	3
99 33 078	171	spring washer B 6	3
99 31 046	172	washer 6,4 pho.black.	3
99 22 054	—	hex. nut M 6—6 S pho.black.	1