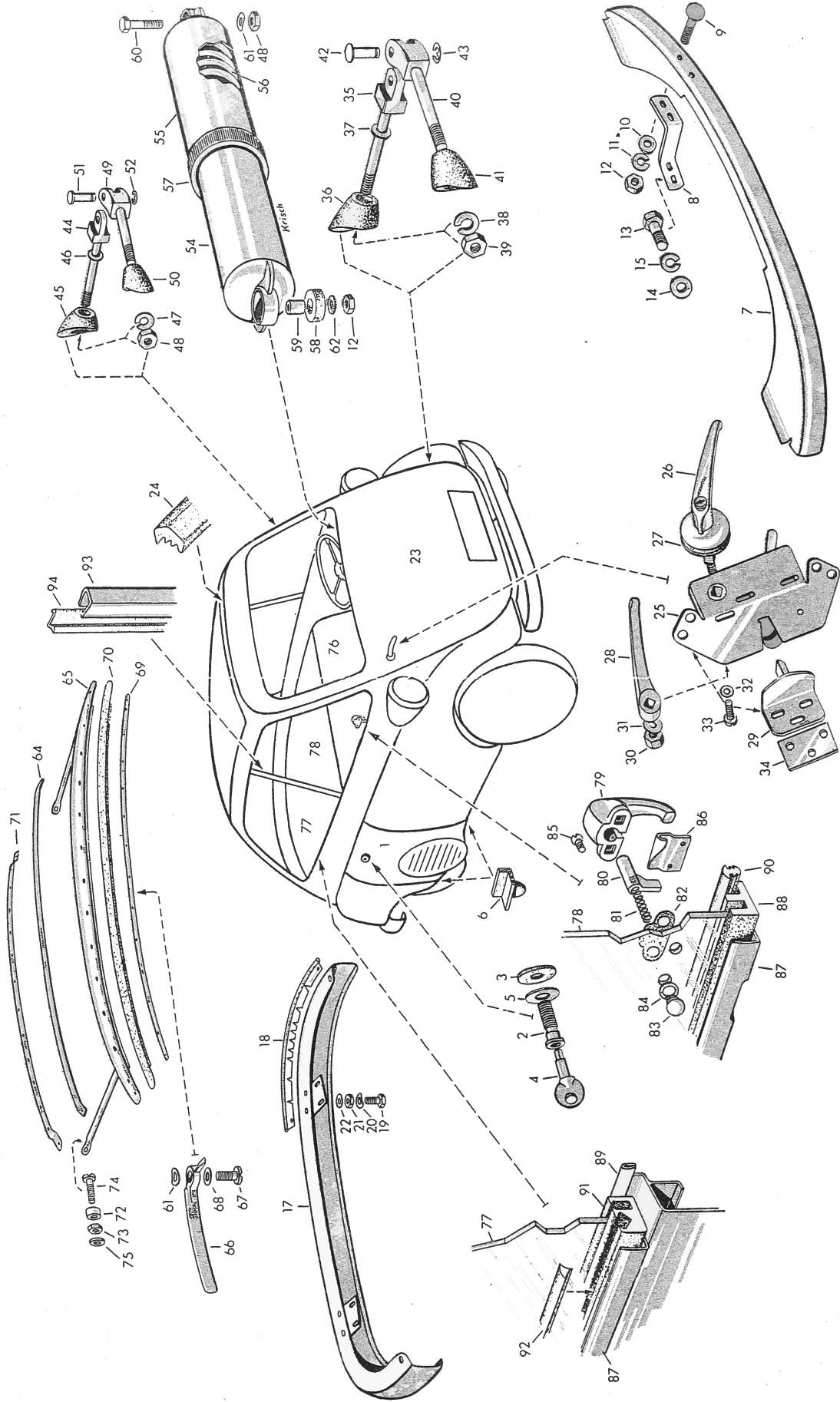


50 = Body **60 = Door** **Plate 6**
70 = Interior Equipment - Windows - Folding roof

Isetta Export 57



Part No.	Key No.	Description	Qty.
Basic body construction			
50 00 056	—	body, bonderized, with fastenings parts for production model	1
50 00 060	—	body, bonderized, for production model	1
50 00 070	—	body, bonderized, for convertible and pick-up Isetta	1
50 00 541	—	door post, compl.	1
50 00 505	—	frame support bracket for door post	1
50 00 509	—	battery box on floorboard	1
50 00 514	—	wheel housing, left	1
50 00 516	—	wheel housing, right	1
50 00 570	—	body panel, left side	1
50 00 573	—	body panel, right side	1
50 34 050	—	rear portion with intake pipe, compl.	1
50 34 503	—	intake pipe with tube and cover for rear portion	1
50 00 548	—	bracket for return spring of gear change rod on rear wall of back rest	1
50 00 557	—	floor panel	1
Engine cover panel			
50 80 053	1	engine cover panel, bonderized, with weatherstrips, lock screw, rubber washer and key	1
For engine cover panel:			
50 80 552	—	upper weatherstrip	1
50 80 553	—	weatherstrip, front and rear	2
50 80 564	2	lock screw	1
40 80 140	3	rubber washer	1
40 80 172	4	key	2
99 31 078	5	washer 10,5 st., chromium-pl ed	1
50 80 570	6 ^{NK}	rubber stop for engine cover panel	2

60 = Door		Plate 6	
Part No.	Key No.	Description	Qty.
50 00 527	—	left moulding	1
50 00 530	—	right moulding	1
50 00 544	—	fixing pin	16
60 40 590	—	spring nut	16
55 80 142	—	fixing screw	2
		Adorning strip for roof frame, left and right:	
50 00 576	—	adorning strip (2 strips, 1,56 m each)	2
50 00 546	—	fixing clamp for strip to roof frame, left and right	16
50 00 549	—	end piece	4
		Door	
60 40 051	23	door, bonderized	1
30 04 538	—	silentbloc at door frame cross member for fastening of instrument panel	2
60 40 606	24	weatherstrip for outer door sealing	1
		Fastening parts for door lock:	
60 42 534	—	base plate	1
60 42 538	—	supporting plate at door frame	1
		Door lock:	
60 42 514	25	door lock	1
60 42 511	26	door handle with lock and key	1
60 42 516	—	key (when ordering please specify key No.)	2
60 42 531	27	rubber seal for door handle	1
60 42 528	—	shim 0,5 mm	as req.
50 70 529	—	shim 1 mm	as req.
50 70 528	—	shim 2 mm	as req.
		Inner door lock parts:	
60 42 518	28	inner handle	1
60 42 526	29	lock bracket	1

50 = Body / Bumpers / Mouldings		Plate 6	
Part No.	Key No.	Description	Qty.
		Front bumper	
50 70 070	7	front bumper, silver-grey painted	1
50 70 075	7	front bumper, chromium plated, for two-tone coloured cars	1
50 70 510	8	bracket, left	1
50 70 515	—	bracket, right	1
		For bumpers to brackets, left and right:	
99 10 440	9	oval head screw M 8×20—4 D, with polished head	4
99 31 066	10	washer 8,4 pho.black.	4
99 33 094	11	spring washer B 8	4
99 22 082	12	hex. nut M 8—6 S pho.black.	4
		For front bumper to frame, left and right:	
99 13 828	13	hex. screw M 10×22—8 G pho.black.	4
99 31 075	14	washer 10,5 pho.black.	4
99 33 101	15	spring washer A 10	4
		Rear bumper	
50 70 059	17	rear bumper, silver-grey painted	1
50 70 060	17	rear bumper chromium-plated, for two-tone coloured cars	1
		For bumper to rear portion of body, left and right:	
50 70 544	18	rubber strip (0,3 m), can only be supplied in metres	2
99 13 439	19	hex. screw M 6×12—8 G pho.black.	6
99 32 071	20	spring washer B 6	6
99 22 054	21	hex. nut M 6—6 S pho.black.	6
25 60 190	22	washer	12
		Mouldings	
		only for two-tone coloured cars:	
50 00 528	—	1 set mouldings with pins and spring nuts	1

60 = Door			Plate 6	
Part No.	Key No.	Description	Qty.	
60 50 509	37	spacer 2 mm	as req.	
60 50 510	37	spacer 3 mm	as req.	
99 33 101	38	spring washer A 10 cad.	1	
99 22 110	39	hex. nut M 10—6 S cad.	1	
		Lower hinge (at the door):		
60 50 512	40	lower hinge arm	1	
60 50 516	41	rubber for lower hinge arm	1	
99 33 101	38	spring washer A 10 cad.	1	
99 22 110	39	hex. nut M 10—6 S cad.	1	
		For lower hinge:		
60 50 520	42	hinge pin	1	
99 32 850	43	lock washer 7 cad.	1	
		Upper hinge (at door post):		
60 50 525	44	upper hinge arm	1	
60 50 529	45	rubber for upper hinge arm	1	
60 50 532	46	spacer 2 mm	as req.	
60 50 533	46	spacer 3 mm	as req.	
99 33 087	47	spring washer A 8 cad.	1	
99 22 081	48	hex. nut M 8—6 S cad.	1	
		Upper hinge (at the door):		
60 50 536	49	upper hinge arm	1	
60 50 540	50	rubber for upper hinge arm	1	
99 33 087	47	spring washer A 8 cad.	1	
99 22 081	48	hex. nut M 8—6 S cad.	1	
		For upper hinge:		
60 50 544	51	hinge pin	1	
99 32 830	52	lock washer 5 cad.	1	

60 = Door			Plate 6	
Part No.	Key No.	Description	Qty.	
60 42 522	30	cap nut	1	
99 32 070	31	spring washer for cap nut, B 6	1	
		Fastening parts lock - door:		
99 32 045	32	spring washer B 5 cad.	4	
99 07 109	33	oval head screw AM 5X10—8 G cad.	4	
		For lock bracket to door post:		
60 42 527	34	base plate for lock bracket	as req.	
99 32 045	32	spring washer B 5 cad.	3	
99 07 109	33	oval head screw AM 5X10—8 G cad.	3	
99 07 115	33	oval head screw AM 5X12—8 G cad.	as req.	
		BMW emblem at the door:		
60 40 594	—	BMW emblem	1	
60 40 110	—	base for emblem	1	
60 40 590	—	spring nut 4 mm Ø	2	
		"Isetta" letters at the door:		
60 40 598	—	"Isetta" letters	1	
60 40 596	—	"300" emblem, only for cars with 300 c. c. engine	1	
60 40 602	—	spring nut 3 mm Ø	8	
		Inside rear view mirror at the door:		
90 38 509	—	inside rear view mirror	1	
99 02 349	—	countersunk screw S 3,9X13, chromium plated	3	
		For door to door post:		
		Lower hinge (at door post):		
60 50 500	35	lower hinge arm	1	
60 50 504	36	rubber for lower hinge arm	1	
60 50 508	37	spacer 1,2 mm	as req.	

70 = Folding roof		Plate 6	
Part No.	Key No.	Description	Qty.
70 60 608	65	tensioning bow for production model from chassis No. 428 032 onwards, for convertible and pick-up Isetta ..	1
70 60 676	66	For folding roof lock to tensioning bow, front: folding roof lock	1
99 07 554	67	oval head screw M 8×10—5 S chromium-plated	1
99 31 667	68	washer 10,5 chromium-plated	1
99 32 090	61	spring washer B 8 cad.	1
70 60 692	69	For folding roof to tensioning bow, front: fixing strut	1
70 60 687	70	weatherstrip	1
99 49 025	—	hollow rivet A 4×8×12 st., black.	13
70 60 693	—	adhesive tape for folding roof (abt. 1 m)	1
70 60 694	71	For folding roof to rear portion of roof (production model): fixing strut from chassis No. 428 032	1
99 48 749	—	rivet 3,2 Ø st.	11
70 60 672	72	For tensioning bow to frame, inside: spacer	2
99 22 053	73	hex. nut M 6—6 S cad.	2
99 07 230	74	oval head screw M 6×25/20—5 S cad. with polished head	2
99 31 043	75	washer 6,4 st. cad.	2
70 60 649	—	Rear folding roof of convertible rear folding roof with bow, ready for fitting	1
70 60 606	—	rear folding roof with plastic window	1
70 40 627	—	rear plastic window 280×500 mm	1
70 60 657	—	beading, 1200 long, for tensioning bow	1

60 = Door		Folding roof		Plate 6	
Part No.	Key No.	Description	Qty.		
60 50 556	—	Door compensating spring with sleeve:	1		
60 50 561	54	door compensating spring with sleeve, bonderized, compl.	1		
60 50 582	—	inner spring sleeve	1		
60 50 583	55	outer spring sleeve with retaining ring	1		
60 50 590	56	outer spring sleeve	1		
60 50 598	57	door compensating spring	1		
30 04 539	58	retaining ring, bonderized	1		
30 04 545	59	bushing (Vulkolan)	2		
		spacer for bushing	2		
		For door compensating spring and defroster jet to door post:			
99 12 477	60	hex. screw M 8×35—8 G cad. for cars with heater	1		
99 12 452	—	hex. screw M 8×30—8 G cad. for cars without heater	1		
99 32 090	61	spring washer B 8 cad.	1		
99 22 081	48	hex. nut M 8—6 S cad.	1		
40 80 149	62	For door compensating spring to instrument panel: washer	1		
99 22 082	12	hex. nut M 8—6 S pho.black.	1		
		Folding roof			
70 60 605	—	folding roof, compl. for production model	1		
70 60 609	—	folding roof, compl. for convertible	1		
70 60 620	—	folding roof, compl. for pick-up Isetta	1		
70 60 646	—	1 set folding roof parts, bonderized, for production model	1		
70 60 740	—	1 set folding roof parts, bonderized, for convertible	1		
70 60 745	—	1 set folding roof parts, bonderized, for pick-up Isetta	1		
70 60 651	64	folding roof bow for production model up to chassis No. 428 031	1		
70 60 556	—	folding roof bow for production model from chassis No. 428 032 onwards; for convertible and pick-up Isetta ..	1		
70 60 607	65	tensioning bow for production model up to chassis No. 428 031	1		

70 = Folding roof 70 = Windows		Plate 6	
Part No.	Key No.	Description	Qty.
99 13 640	—	Screw connection folding roof — body, left and right, front and rear:	4
99 31 065	—	hex. screw M 8×18—8 G cad.	4
99 33 094	—	washer 8,4 cad.	4
	—	spring washer 8,4 cad.	4
	—	Fastening parts and sealing for pick-up Isetta	
	—	Fastening bow with sealing for body waist panel, below left and right:	
70 61 500	—	fastening bow	1
70 61 505	—	rubber sealing	1
70 61 520	—	base washer	4
75 52 115	—	washer	4
99 13 640	—	hex. nut M 8×20—8 G cad.	4
	—	Sealing for roof bow, above:	
70 60 685	—	rubber sealing	1
70 61 525	—	strut	1
70 61 530	—	filler for strut, can only be supplied in metres	1
99 02 411	—	oval head screw S 2,9×13 cad.	15
	—	Windscreen (Windshield)	
70 40 600	76	windscreen	1
70 40 606	—	weatherstrip	1
70 40 623	—	filler (2,38 m), can only be supplied in metres	1
	—	Left and right windows	
70 40 654	—	window glass, left ... } for production model	1
70 40 658	77	window glass, right . }	1

70 = Folding roof		Plate 6	
Part No.	Key No.	Description	Qty.
70 60 625	—	filler	2
99 01 764	—	cross recess oval head screw AM 5×12—4 S for locking lever to tensioning bow and for lock plate to roof frame	4
99 49 008	—	rivet A 4×7×6 for folding roof to bow	23
70 40 635	—	adorning strip	1
	—	For folding roof frame:	
70 60 665	—	bow	1
70 60 673	—	tensioning bow	1
	—	For bow mounting:	
70 60 638	—	screw	2
99 31 043	—	washer 6,4 cad.	2
99 33 078	—	spring washer B 6 cad.	2
99 22 053	—	hex. nut M 6—6 S cad.	2
	—	For folding roof lock to tensioning bow left and right:	
70 60 680	—	locking lever at tensioning bow	2
70 60 681	—	lock plate at roof frame	2
	—	Sealing and fastening parts for convertible:	
	—	Lower sealing between body and folding roof fastening bow:	
70 60 618	—	rubber seal	1
70 60 688	—	cap, left	1
70 60 689	—	cap, right	1
99 02 340	—	countersunk screw with chromium-plated oval head S 3,5×13	2
70 60 626	—	filler (small)	2
	—	Upper sealing between body, roof bow and tensioning bow:	
70 60 685	—	rubber seal with endings	1

70 = Windows			Plate 6
Part No.	Key No.	Description	Qty.
70 40 635	89	For supporting brackets and run channels to side panel left and right: adornning strip (chromium silver) for side panel left and right for each car 2,40 m (for convertible and pick-up Isetta 1,56 m each)	1
70 40 577	—	supporting bracket for fixed side window of convertible and pick-up Isetta	2
70 40 672	90	filler for glass rubber channel, below left and right (0,95 m for each car)	1
99 48 740	—	rivet 3,2×5,9—7,2 al.	10
99 07 710	—	oval head countersunk screw S 2,9×13 chromium-plated (for convertible and pick-up Isetta)	2
70 60 630	—	adornning strip on roof frame (ready for fitting)	1
Sealers for fixed side window, rear:			
70 40 640	—	weatherstrip, left } for production model	1
70 40 645	91	weatherstrip, right }	1
70 40 643	—	weatherstrip, left } for convertible and	1
70 40 648	—	weatherstrip, right } pick-up Isetta	1
70 40 623	92	filler for weatherstrip (1,80 m for each car, for convertible and pick-up Isetta 0,84 m each) can only be supplied in metres	1
70 40 527	93	weatherstrip for fixed side window, left and right, (for each car 0,329 m)	2
70 40 530	94	weatherstrip for fixed side window, left and right, (for each car 0,331 m)	2
70 40 675	—	rear window glass, for 250 c. c. up to chassis No. 430 018, for 300 c. c. up to chassis No. 499 233	1
70 40 676	—	rear window glass, for 250 c. c. from chassis No. 430 019, for 300 c. c. from chassis No. 499 234	1

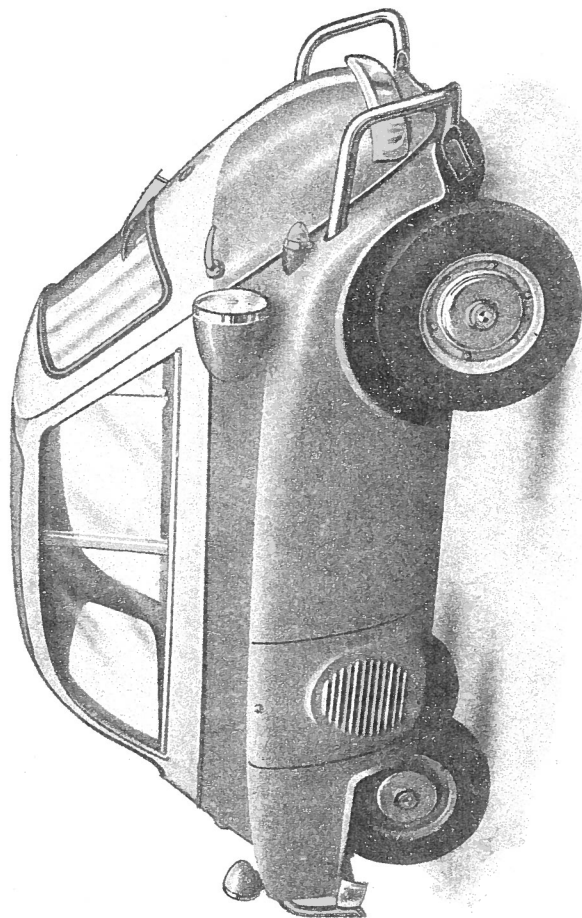
70 = Windows			Plate 6
Part No.	Key No.	Description	Qty.
70 40 650	—	window glass, left ... } for convertible and	1
70 40 652	—	window glass, right . } pick-up Isetta	1
70 40 662	—	sliding window glass, left	1
70 40 666	78	sliding window glass, right	1
Arresting lock for sliding window glass, left and right:			
70 40 517	—	arresting lock, compl. left and right	2
70 40 582	79	handle	2
70 40 586	80	nose piece	2
70 40 581	81	pressure spring	2
70 40 575	82	base plate	2
70 40 570	83	nut	4
70 40 572	84	rubber washer	4
99 01 330	85	oval head screw M 5×10—5 S nickel-plated	4
Mounting bracket for arresting lock at body side panel left and right, for production model:			
70 40 548	—	mounting bracket, left	1
70 40 549	86	mounting bracket, right	1
99 47 029	—	oval head rivet 3×5 st.	4
Supporting bracket for glass channels:			
70 40 590	—	left, for production model	1
70 40 595	87	right, for production model	1
70 40 593	—	left, for convertible and pick-up Isetta	1
70 40 598	—	right, for convertible and pick-up Isetta	1
Front glass run channels, rubber:			
70 40 684	—	left below	1
70 40 688	88	right below	1
70 40 692	—	left above	1
70 40 696	—	right above	1
99 49 010	—	hollow rivet 4×7×8 brass, nickel-plated for the glass run channel, rubber, right and left above at the window guide	2

70 = Furnishings / Seat and back rest		Plate 6	
Part No.	Key No.	Description	Qty.
70 02 546	—	upholstery for seat (foam rubber)	1
70 02 545	—	upholstery for seat (hair rubber for spring box part No. 70 02 535)	1
70 02 543	—	upholstery for seat (hair rubber for spring box part No. 70 02 536)	1
		Back rest, upholstered:	
70 02 050	—	red	1
70 02 051	—	blue/grey	1
70 02 052	—	beige	1
70 02 053	—	turquoise	1
70 02 062	—	back rest frame, compl.	1
70 02 566	—	zigzag spring for back rest	9
70 02 567	—	hook, 70 mm long, for back rest	16
70 02 568	—	hook, 54 mm long, for back rest	2
70 02 570	—	hook, 48 mm long, for back rest	2
70 02 555	—	upholstery large (hair rubber) for back rest	1
70 02 572	—	upholstery small (foam rubber) for back rest	1
70 02 565	—	clamp for upholstery	22
70 02 553	—	upholstery large (foam rubber) for back rest	1
70 02 571	—	upholstery small (hair rubber) for back rest	1
70 02 556	—	cramp for fastening of covering	12
70 02 504	—	back rest adjustment, left	1
70 02 508	—	back rest adjustment, right	1
		For back rest adjustment:	
99 32 045	—	spring washer B 5	2
99 31 034	—	washer 5,3 st. pho.black.	2
99 47 154	—	oval head rivet 5×10 st. 34,13 pho.	2
		Covering for seat and back rest, about 1 m (can only be supplied in metres):	
70 56 815	—	covering cloth, red (3 parts)	1
70 56 816	—	covering cloth, blue/grey (3 parts)	1
70 56 817	—	covering cloth, beige (3 parts)	1
70 56 818	—	covering cloth, turquoise (3 parts)	1
70 56 850	—	covering cloth, ivory	1

70 = Windows / Seat and back rest		Plate 6	
Part No.	Key No.	Description	Qty.
		Rear window for production model	
70 40 680	—	weatherstrip	1
70 40 623	—	filler for weatherstrip (1,75 m), can only be supplied in metres	1
		Rear view mirror, outside	
70 60 573	—	rear view mirror, outside, compl., on later models part No. 70 60 572	1
70 60 588	—	retaining piece for part No. 70 60 572	1
70 60 589	—	in exchange: retaining piece for part No. 70 60 572	1
70 60 582	—	mirror glass	1
70 60 586	—	plastic snap ring	1
70 60 590	—	rubber	1
70 60 584	—	spring	1
		as per choice:	
70 60 576	—	rear view mirror, outside, compl.	1
70 90 594	—	mirror glass	1
70 60 596	—	mirror frame	1
70 60 598	—	support ring	1
		For outer rear view mirror:	
99 21 081	—	hex. nut M 8—6 S cad.	1
99 33 094	—	spring washer B 8 cad.	1
70 60 578	—	washer for fastening rear view mirror to side panel, left ..	1
		Seat and back rest	
		Seat upholstered:	
70 02 065	—	red	1
70 02 066	—	blue	1
70 02 067	—	green	1
70 02 076	—	seat frame, compl.	1
70 02 079	—	seat frame, compl. only for small battery from chassis No.	1
70 02 535	—	spring box (for cars with large and small batteries)	1
70 02 536	—	spring box (only for cars with small batteries)	1

70 = Furnishings / Body equipment			Plate 6
Part No.	Key No.	Description	Qty.
		Beading between side panel trimming and wheel housing and for gear change lever opening:	
70 60 565	—	beading, beige, for beige wheel housing covering	1
70 60 562	—	beading, blue, for blue wheel housing covering	1
70 60 563	—	beading, green, for green wheel housing covering	1
70 60 569	—	beading, grey, for wheel housing covering	1
70 60 568	—	beading for gear change lever opening	1
		Luggage panelling:	
70 60 525	—	panel, beige, for red interior	1
70 60 526	—	panel, for blue interior	1
70 60 527	—	panel, for green interior	1
70 60 528	—	panel, for grey interior	1
70 60 529	—	panel, two-tone grey checked	1
		For panel to rear wall:	
75 70 110	—	hollow washer	4
99 02 364	—	oval head countersunk screw S3,9×19 st. chromium plated	4
		Rear wall panelling:	
75 59 170	—	rear wall panelling, leatheroid, grey (can only be supplied in metres)	1
		Anti-sound lining:	
70 62 502	—	for rear floor panel, left	1
70 62 501	—	for rear floor panel, right	1
70 62 514	—	for upper side wall, front right	1
70 62 515	—	for upper side wall, front left	1
70 62 516	—	for side wall, right	1
70 62 517	—	for side wall, left	1
70 62 518	—	for rear side wall, right	1
70 62 519	—	for rear side wall, left	1
70 62 506	—	for rear wall of back rest	1
70 62 507	—	for back rest, right	1

70 = Furnishings / Seat and back rest / Body equipment			Plate 6
Part No.	Key No.	Description	Qty.
		For seat to back rest:	
70 02 602	—	spacer	2
99 31 621	—	hex. screw M8×15—8 G pho.black.	2
		For seat and back rest, left and right, to floorboard:	
70 02 605	—	washer	2
70 02 606	—	stud	2
99 24 040	—	wing-nut M 8	2
		Body equipment	
		Door trim panels:	
70 60 501	—	for red interior	1
70 60 502	—	for blue interior	1
70 60 503	—	for green interior	1
70 60 725	—	for grey interior with red pocket	1
70 60 727	—	for grey interior with blue pocket	1
70 60 729	—	for grey interior with green pocket	1
		Side panel trimming:	
70 60 580	—	side trim panel left (two-tone grey checked)	1
70 60 581	—	side trim panel right (two-tone grey checked)	1
70 60 599	—	supporting spring for panels, left and right	2
70 60 760	—	left, beige, for red interior	1
70 60 762	—	left, blue, for blue interior	1
70 60 764	—	left, green, for green interior	1
70 60 766	—	left, for grey interior	1
70 60 530	—	right, beige, for red interior	1
70 60 531	—	right, blue, for blue interior	1
70 60 532	—	right, green, for green interior	1
70 60 710	—	right, for grey interior	1



U S - M O D E L

The list "US-Model" deals with the parts which differ from those of the "Production-Model". Parts, which are identical with those of the "Production-Model", are contained in the list covering the "Production-Model" (black print).

Unless other indications are given, the quantity numbers apply to the "Production-Model" with rear window of toughened safety glass and to the convertible (convertible hood).

70 = Furnishings / Body equipment		Plate 6	
Part No.	Key No.	Description	Qty
70 62 520	—	for luggage board, side panelling right	1
70 62 521	—	for luggage board, side panelling left	1
70 62 509	—	for rear wall, back rest left	1
70 62 510	—	for rear wall, back rest right	1
70 62 500	—	for floorboard	1
70 62 511	—	for cover of rear wall (inspection hole)	1
70 62 513	—	for luggage board, left	1
70 62 512	—	for luggage board, right	1
70 62 531	—	washers for covering the screws of body connection with 2nd cross member	6
		Cover of engine inspection hole in the rear wall of back rest:	
70 60 561	—	cover	1
40 80 288	—	seal	1
99 18 040	—	wing screw M 6 X 12—4 D	2
		Rubber floor mat and front end plate:	
70 60 540	—	rubber floor mat	1
70 02 611	—	front end plate for seat (with hole for regulator lever)	1
70 02 613	—	front end plate for seat (without hole for regulator lever)	1
		Cover for heater connection, as required:	
70 60 570	—	cover for heater connection at rear wall	1
90 32 508	—	seal ring	1
		Later version:	
70 60 571	—	cover for heater connection at rear wall	1
40 90 574	—	seal	1

50 = Body / US-model		Qty.
Part No.	Description	
	Front bumper bow, left and right	
50 70 080	front bumper bow, left	1
50 70 082	front bumper bow, right	1
99 13 643	hex. screw M 8×20—8 G pho.black. for support plate	2
	For front bumper bows to wheel housing, left and right:	
50 70 532	rubber seal	2
99 31 066	washer 8,4 pho.black.	2
99 33 094	spring washer B 8	2
99 22 082	hex. nut M 8—6 S pho.black.	2
	For front bumper bows to front portion of frame, left and right:	
99 31 075	washer 10,5 pho.black.	4
99 33 108	spring washer B 10	4
99 13 828	hex. screw M 10×22—8 G pho.black.	4
	Rear bumper	
50 70 061	rear bumper	1
	Rear bumper bow, left and right:	
50 70 084	rear bumper bow, left	1
50 70 086	rear bumper bow, right	1
	For bumper bows to tail light opening of rear portion:	
50 70 534	support washer	2
50 70 535	rosette	2
65 42 194	intermediate plate	2
99 36 205	toothed washer J 8,4 pho.	2
99 22 082	hex. nut M 8—6 S pho.black.	2
	For bumper bows, left and right, to rear bumper:	
50 70 540	rubber	2

50 = Body / US-model		Qty.
Part No.	Description	
	Body	
50 00 053	body for models with rear window glass	1
50 00 054	body for models with rear folding roof	1
50 00 564	outer side panel, left	1
50 00 567	outer side panel, right	1
50 00 538	reinforcement plate for front bumper, left	1
50 00 539	reinforcement plate for front bumper, right	1
	Mouldings (only for two-tone coloured cars):	
50 00 528	1 set mouldings with fastening parts	1
50 00 527	moulding, left	1
50 00 530	moulding, right	1
55 80 147	fixing screw (front left and right)	2
	For moulding to side panel, left and right:	
50 00 544	fixing pin	16
60 40 590	spring nut	16
	Inner adorning strip for roof frame, left an right:	
50 00 576	adorning strip (2 strips, 1,56 m each)	2
50 00 546	fixing clamp	16
50 00 549	end piece	4
	Bumper, front	
50 70 065	front bumper	1
	For front bumper to door:	
50 70 545	sealing	1
50 70 530	base plate	2
99 31 046	washer 6,4 pho.black.	4
99 13 471	hex. screw M 6×18—8 G pho.black.	4
99 32 070	spring washer B 6 pho.	4

70 = Interior Equipment / Convertible / US-model		
Part No.	Description	Qty.
60 40 632	For air distribution box to door inner panel, below: (For convertible)	4
99 02 230	snap nut	4
	countersunk screw S 4,2X13 pho.black.	4
Front folding roof (sunshine roof)		
70 60 696	lever	2
70 60 698	clip	2
99 47 047	rivet 3X8 cad. for clip to roof skin, front	2
For lever to tensioning bow, front:		
99 31 014	washer 3,2 cad.	2
99 47 047	rivet 3X8 cad.	2
For convertible:		
70 60 740	1 set folding roof parts	1
70 60 609	folding roof	1
99 49 010	hollow rivet A 4X7X8 st. for folding roof to roof skin, rear	8
Rear folding roof		
(For convertible)		
70 60 649	folding roof with bows (ready for fitting)	1
70 60 606	folding roof with plastic rear window	1
70 40 627	rear window (plastic)	1
70 60 665	bow	1
70 60 673	tensioning bow	1
70 60 657	beading (1,32 m long) for tensioning bow	1
70 60 625	moss rubber (250X10X5)	2
99 01 764	cross recess oval head screw AM5X12-4 S for locking lever to tensioning bow and for lock plate to roof frame	4
99 49 008	hollow rivet A 4X7X6 for folding roof to bow	23
70 40 635	adorning strip for body panel, left and right	1

50 = Body / Convertible / US-model 60 = Door		
Part No.	Description	Qty.
50 70 538	washer	2
99 12 440	hex. screw M8X25-8 G pho.black.	2
99 36 205	toothed washer J 8,4 pho.	2
99 22 082	hex. nut M8-6 S pho.black.	2
40 00 131	washer	2
Door		
60 40 052	door, bonderized, for serial model (rear window glass and single-armed windscreen wiper assy.)	1
For convertible		
60 40 056	door, bonderized, (for model with door air-conditioning and tandem wiper assy.)	1
60 42 545	wire mesh screen	2
60 42 547	insert for wire mesh screen	2
60 40 590	spring nut 4 mm Ø for BMW emblem and "Isetta" letters	8
99 07 711	oval head screw S 2,9X13, for shutter	4
60 42 549	shutter	1
60 42 550	air distribution box	1
60 42 555	ventilating flap	1
60 40 610	sealing for ventilating flap	1
60 40 635	sealing strip at door inner panel and air distribution box (can only be supplied in metres)	1
99 07 742	oval head screw S 4,2X13 pho.black.	3
For ventilating flap control:		
(For convertible)		
60 40 615	lever	1
60 40 617	compensating hose	1
40 84 540	protective cover	1
45 74 030	washer	4
45 74 031	spring washer	2
99 43 015	pin 2X10	2

70 = Interior Equipment / Seat and back rest / US-model

Part No.	Description	Qty.
Seat and back rest		
Seat:		
70 02 080	seat (upholstered), plastic covering ivory	1
70 02 081	seat (upholstered), plastic covering red	1
70 02 082	seat (upholstered), plastic covering blue	1
70 02 083	seat (upholstered), plastic covering green-beige	1
70 02 084	seat (upholstered), plastic covering gold-beige	1
Plastic covering for seat and back rest:		
70 56 850	covering ivory	1
70 56 852	covering red	1
70 56 854	covering blue	1
70 56 856	covering green-beige	1
70 56 858	covering gold-beige	1
Beading (can only be supplied in metres):		
70 02 557	beading, brown (1,25 m), for seat and back rest with plastic covering gold-beige	1
70 02 561	beading, ivory (1,25 m), for seat and back rest with plastic covering blue and red	1

TROPICAL MODEL

The list "Tropical Model" deals with the parts which differ from those of the "Production-Model". Parts, which are identical with those of the "Production-Model", are contained in the list covering the "Production-Model" (black print).

Unless other indications are given, the quantity numbers apply to the "Production-Model" with rear window, left-hand and right-hand drive, and to the convertible (convertible hood), left hand and right hand drive.

Part No.	Description	Qty.
70 60 606	folding roof with plastic rear window	1
70 40 627	rear window (plastic)	1
70 60 634	fixing bow for folding roof	1
70 60 665	bow for folding roof frame	1
70 60 673	tensioning bow	1
70 60 657	beading (1200 long) for tensioning bow	1
70 60 625	moss rubber (250×10×5)	2
99 01 762	oval head countersunk screw (cross recess) AM 5×12—4 S for locking lever to tensioning bow and to roof frame	4
70 40 635	adornng strip (chromium-silver, 760 long) for body panel, left and right	1
	For bow mounting:	
70 60 638	screw	2
99 31 043	washer 6,4 cad.	2
99 33 078	spring washer B 6 cad.	2
99 22 053	hex. nut M 6—6 S cad.	2
	For folding roof lock to tensioning bow, above left and right:	
70 60 680	locking lever at tensioning bow	2
70 60 681	lock plate at roof frame	2
	Lower sealing between body and folding roof fastening bow:	
70 60 683	rubber seal	1
70 60 688	cap, left	1
70 60 689	cap, right	1
99 02 340	oval head countersunk screw S 3,5×13	2
70 60 626	moss rubber (20×18×5)	2
	Upper sealing (between roof and tensioning bow):	
70 60 685	rubber seal	1
70 61 525	strut	1
70 61 530	filler for strut, can only be supplied in metres	1
99 02 411	oval head countersunk screw S 2,9×13 cad.	15

Part No.	Description	Qty.
50 = Body / 60 = Door / Tropical model		
	Body	
50 00 070	body, for convertible, left hand drive	1
50 00 073	body, for convertible, right hand drive	1
	Door with air conditioning assy.	
60 40 054	door, bonderized, for left hand drive	1
60 40 055	door, bonderized, for right hand drive	1
60 42 545	wire mesh screen	2
60 42 547	insert for wire mesh screen	2
60 40 590	spring nut 4 Ⓞ for wire mesh screen	8
60 42 549	shutter of air distribution box at door trim panelling	1
99 07 710	oval head screw S 2,9×13 for shutter	4
60 42 550	air distribution box	1
60 42 555	ventilating flap	1
60 40 610	sealing for ventilating flap	1
60 40 620	sealing, right at door inner panel	1
60 40 623	sealing, left at door inner panel	1
60 40 626	sealing, right at air distribution box	1
60 40 629	sealing, left at air distribution box	1
	For ventilating flap control:	
60 40 615	lever	1
60 40 617	compensating hose	1
40 84 540	protective cover	1
45 74 030	washer 24 Ⓞ	4
45 74 031	washer 21 Ⓞ	2
99 43 015	pin	2
	For air distribution box to door inner panel, below:	
64 40 632	snap nut	7
99 02 230	countersunk screw S 4,2×13 pho.black	4
99 07 742	oval head screw S 4,2×13 pho.black	3
	Folding roof:	
70 60 649	folding roof with bow, ready for fitting	1

70 = Body equipment / Tropical model

Part No.	Description	Qty.
70 60 552	"beige" with plastic red covering	1
70 60 555	"beige" with plastic gold-beige covering	1
70 60 553	"grey/blue" with plastic blue covering	1
70 60 554	"grey/green" with plastic green/beige covering	1
	Door trim panels for right hand drive:	
70 60 785	"beige" with plastic ivory covering	1
70 60 787	"beige" with plastic red covering	1
70 60 793	"beige" with plastic gold/beige covering	1
70 60 789	"grey/blue" with plastic blue covering	1
70 60 791	"grey/green" with plastic beige/green covering	1
	Side panel trimming, left (For left hand drive)	
70 60 615	trim panel for red	1
70 60 616	trim panel for blue	1
70 60 617	trim panel for green	1
	or:	
70 60 610	trim panel for beige	1
70 60 611	trim panel for blue	1
70 60 612	trim panel for green	1
	Seat:	
70 02 080	seat, plastic covering ivory	1
70 02 081	seat, plastic covering red	1
70 02 082	seat, plastic covering blue	1
70 02 083	seat, plastic covering beige/green	1
70 02 084	seat, plastic covering beige/gold	1
	Back rest:	
70 02 090	back rest, plastic covering ivory	1
70 02 091	back rest, plastic covering red	1
70 02 092	back rest, plastic covering blue	1
70 02 093	back rest, plastic covering beige/green	1
70 02 094	back rest, plastic covering beige/gold	1

70 = Folding roof / Windows / Body equipment / Tropical model

Part No.	Description	Qty.
	Screw connection folding roof — body, left and right, front and rear:	
99 13 628	hex. screw M 8x18—8 cad.	4
99 31 065	washer 8,4 cad.	4
99 33 094	spring washer B 8 cad.	4
	Front folding roof (sunshine roof): (for convertible)	
70 60 609	folding roof	1
70 60 696	lever	2
	For lever to tensioning bow:	
70 60 698	clip	2
99 31 014	washer 3,2 cad.	2
70 60 679	rivet pin	2
99 47 047	rivet 3x8 st. for clip to roof skin, front	2
	Windows:	
	(for convertible)	
70 40 650	window glass, left	1
70 40 652	window glass, right	1
70 40 593	glass channel, left	1
70 40 598	glass channel, right	1
70 40 635	beading (chromium-silver), 1,56 m for each car, can only be supplied in metres	1
70 40 643	weatherstrip for side window, left	1
70 40 648	weatherstrip for side window, right	1
70 40 623	filler for rear weatherstrip, left and right, (0,84 m for each car) can only be supplied in metres	1
70 40 577	bracket	2
99 02 112	countersunk screw S 2,9x13 pho.black. for bracket	2
	Body equipment:	
	Door trim panels for left hand drive:	
70 60 551	"beige" with plastic ivory covering	1

70 = Body equipment / Troop model

Part No.	Description	Qty.
70-56-850	Plastic covering (abt 1.23 m) for seat and (abt. 1 m) for back rest covering, ivory	1
70-56-852	covering, red	1
70-56-854	covering, blue	1
70-56-856	covering, beige/green	1
70-56-858	covering, beige/gold	1
70-02-557	Beading (abt. 1.52 m) for seat and back rest	1
70-02-561	beading, brown, for covering, gold/beige beading, ivory, for seat with blue and red covering	1
70-60-700	Side trim panels, right, with pocket For left hand drive	1
70-60-702	cardboard, beige, pocket, ivory	1
70-60-704	cardboard, beige, pocket, red	1
70-60-706	cardboard, grey/blue, pocket, blue	1
70-60-708	cardboard, grey/green, pocket, beige/green cardboard, beige, pocket, beige/gold	1
70-60-750	Side trim panels, left, with pocket For left hand drive	1
70-60-752	cardboard, beige; pocket, ivory	1
70-60-754	cardboard, pocket, red	1
70-60-756	cardboard, grey/blue, pocket, blue	1
70-60-758	cardboard, grey/green, pocket, beige/green cardboard, beige, pocket, beige/gold	1
99-13-605	For car's without heater	1
99-13-205	Rear wall, blind cover of 90 hole for heater flap, powder cable	1
99-22-082	hex screw M 8X1-8 photo black	1
70-60-570	flashed washer J 8,4 photo black	1
99-32-040	hex nut M 8-6 S photo black	1
99-07-10	cover	3
90-2-508	spring washer A 5	3
	coverhead screw M 5X10 photo black	1
	seal	1