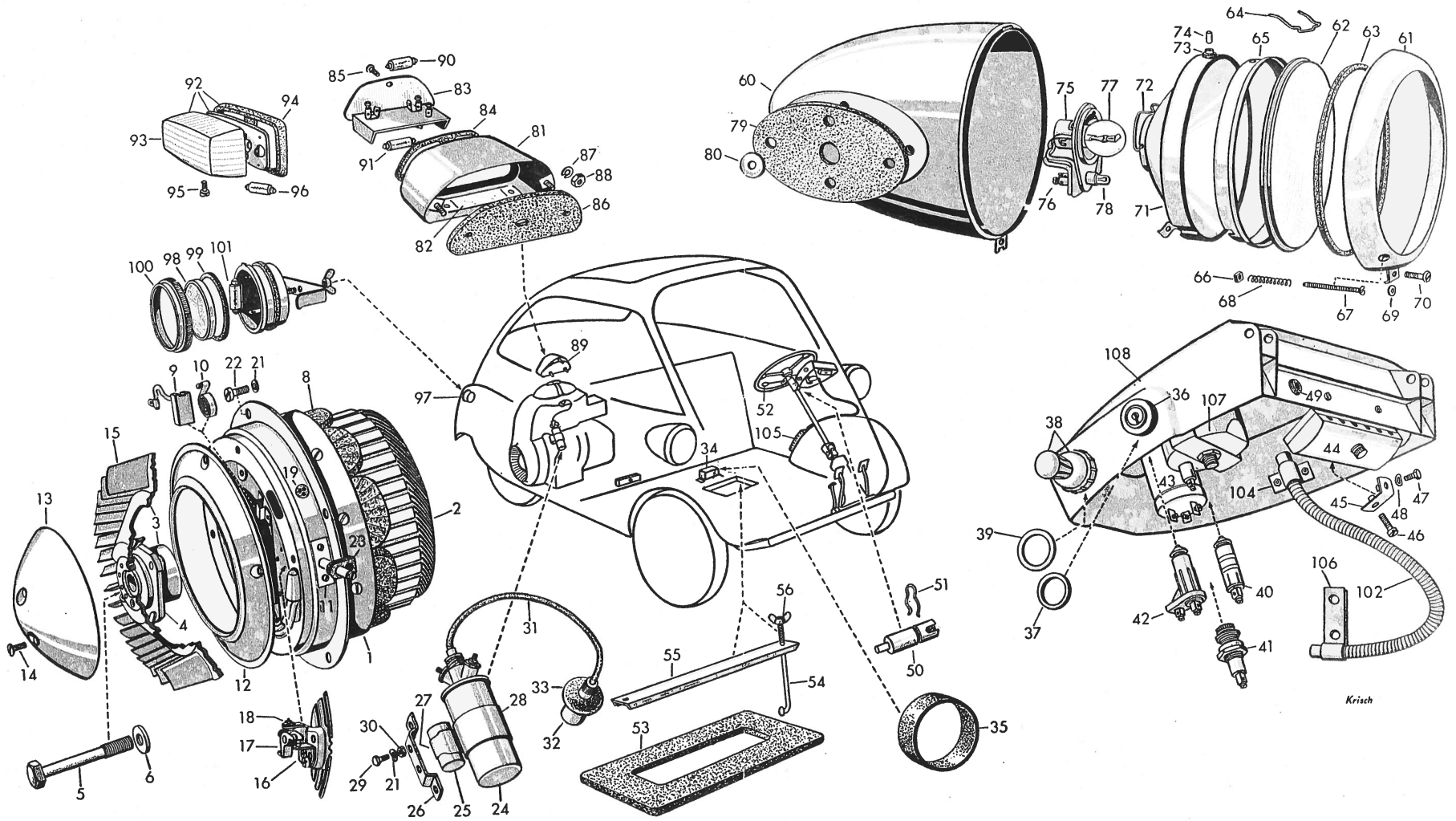


80 = Electrical Equipment

Isetta Export 57



Part No.	Key No.	Description	Qty.
Starter			
80 02 051	—	starter	1
80 02 501	—	housing with starter cable	1
80 66 525	—	starter cable	1
80 02 505	②	armature, compl.	1
80 02 509	3	fan with automatic advance unit and cover	1
80 02 521	4	automatic advance unit with 2 return springs	1
80 02 570	—	return spring for automatic advance unit	2
80 02 512	5	hex. screw for starter to crankshaft	1
80 02 516	6	washer for hex. screw	1
99 51 430	—	disc spring 3×3,7 for fan to armature	1
80 02 524	8	set of field coils	1
80 02 528	⑨	carbon brush	4
80 02 532	10	spring for carbon brush	4
80 02 536	11	connection plate, compl.	1
80 02 540	12	cover ring for housing	1
80 02 544	13	cover for fan	1
99 01 303	14	countersunk screw M 4×6—5 S cad.	2
80 02 558	15	fan, without fittings	2
80 30 054	16	contact breaker, compl.	1
80 30 110	17	breaker arm	1
80 30 504	18	contact bracket	1
80 36 505	19	rubber grommet	1
For starter to chain case cover:			
99 32 071	71	spring washer B 6	4
00 30 104	22	cyl. stud	4
80 70 500	23	rubber grommet in blower cover for starter cable	1
Ignition coil			
80 30 050	—	ignition coil with condenser	1
80 30 052	②4	ignition coil	1

80 = Electrical equipment / Switch

Plate 7

Part No.	Key No.	Description	Qty.
Electrical equipment of instrument panel			
Ignition — starter switch			
80 48 510	36	ignition — starter switch with key	1
80 48 511	—	key (when ordering please indicate key No.)	2
99 32 655	37	shim for ignition-starter switch	1
Switch for headlamps			
80 48 514	—	switch with knob	1
80 48 515	38	knob	1
80 48 518	39	washer	1
Control light			
80 48 522	40	control light, blue, single-pole	1
80 48 527	41	control light, green, single-pole	1
40 48 530	42	control light, red, bipolar	1
99 78 279	—	bulb, J 12 V 2 W	3
Directional flasher			
80 48 536	43	flasher cut-out 2×15 W	1
For directional flasher to instrument panel:			
99 32 070	—	spring washer B 6 cad.	1
99 22 054	—	hex. nut M 6—6 S pho.black.	1
Fuse box			
80 48 538	44	fuse box for 6 poles, with 6 fuses	1
99 78 810	—	fuse 8	6
80 48 542	45	bracket for fuse box	2

80 = Electrical equipment / Engine

Plate 7

Part No.	Key No.	Description	Qty.
80 30 555	25	condenser	1
80 30 500	26	bracket for ignition coil	1
80 30 558	27	clamp for condenser	1
80 30 508	28	clamp for ignition coil	1
For ignition coil to bracket of chain case cover:			
99 13 457	29	hex. screw M 6×15—8 G pho.black.	2
99 32 071	21	spring washer B 6	2
99 22 054	30	hex. nut M 6—6 S pho.black.	2
High tension cable — spark plug cap — spark plug			
99 76 820	31	high tension cable AZLK black (230 mm long, for right hand drive 430 mm)	1
99 76 330	—	spark plug W 240/T 1—14	1
80 36 500	32	spark plug cap	1
80 36 502	33	rubber plug for spark plug cap	1
Voltage regulator			
80 08 500	34	voltage regulator, compl.	1
99 19 406	—	cyl. stud AM 5×8—5 S pho.black.	2
99 33 058	—	spring washer B 5	3
99 19 359	—	cyl. stud AM 4×6 Ms. 58	3
99 33 035	—	spring washer B 4	2
80 42 558	35	rubber ring	1
For voltage regulator to floorboard:			
99 32 045	—	spring washer B 5	4
99 07 620	—	oval head screw AM 5×6—4 S pho.black.	4

80 = Electrical equipment / Battery / Windscreen wiper / Horn

Plate 7

Part No.	Key No.	Description	Qty.
80 42 563	54	tensioning strut for cover	2
80 42 566	55	bracket for cover	1
99 24 030	56	wing nut M 5 for cover	2
		For negative battery cable to 3 rd cross member of frame:	
80 42 526	—	washer	1
99 32 070	—	spring washer B 6 cad.	1
99 13 470	—	hex. screw M 6×18—8 G cad.	1
80 52 558	—	protective cover for voltage regulator	1
		For hole in the rear wall:	
80 42 577	—	plug for 250 c. c. engine	1
55 55 139	—	rubber grommet for 300 c. c. engine	1
		Windscreen wiper	
80 44 051	—	wiper motor	1
80 44 553	—	spring at stop bracket	1
80 44 552	—	cylinder stud for cable connection	2
80 44 554	—	spring across the stop bracket	1
80 44 555	—	carbon brush	2
80 44 556	—	stop washer (insulating washer) for armature	2
80 44 557	—	lower gear set (33 and 8 teeth)	1
80 44 558	—	upper gear set (28 and 8 teeth)	1
80 44 559	—	washer	1
80 44 560	—	gear with toothed rack	1
80 44 561	—	wiper shaft	1
80 44 509	—	wiper arm	1
80 44 513	—	wiper blade	1
99 36 225	—	toothed washer, J 10,5 pho.black. for motor mounting at the door	1
		Horn	
80 46 051	—	horn	1
80 50 550	—	rubber grommet for horn cable at the floorboard	1

80 = Electrical equipment / Battery

Plate 7

Part No.	Key No.	Description	Qty.
		For fuse box to bracket:	
99 19 420	46	cylinder screw M 5×15—5 S pho.black.	2
99 32 040	—	spring washer A 5	2
		For bracket to instrument panel:	
99 13 221	47	hex. screw M 5×10—8 G pho.black.	2
99 32 040	48	spring washer A 5	2
		Rubber sleeves for instrument panel:	
80 48 546	49	rubber sleeve for windscreen wiper	1
80 70 502	—	rubber sleeve for speedometer shaft	1
		Electrical equipment of steering column guide	
		Horn contact — Turn signal switch — Dimmer switch	
80 46 510	50	horn contact with circlip	1
80 46 514	51	circlip	1
80 48 554	52	turn signal switch with insert and plastic lever	1
80 48 580	—	insert for turn signal switch	1
80 48 558	—	dimmer switch insert and plastic lever	1
80 48 582	—	insert for dimmer switch	1
80 48 584	—	plastic lever for turn signal and dimmer switch	2
80 48 560	—	clamp with oval head screw for dimmer switch	2
		Battery	
80 42 051	—	battery 12 V 24 Ah with cover	1
80 42 531	—	cover for battery	1
80 42 560	—	protective cap for positive and negative cable	2
80 42 570	—	positive battery cable	1
80 42 573	—	negative battery cable	1
		For battery to bottom of box:	
80 42 510	53	base for battery	1

80 = Electrical equipment / Stop and license plate light / Flasher light **Plate 7**

Part No.	Key No.	Description	Qty.
Stop and license plate light			
80 54 513	—	stop and license plate light, compl.	1
80 54 514	—	stop and license plate light, compl. (for Austria)	1
80 54 554	—	housing with license plate and stop light glass	1
80 54 558	81	housing, only with license plate light glass	1
80 54 560	82	glass for license plate light	1
99 47 040	—	rivet	2
80 54 556	83	glass for stop light with bulb socket	1
80 50 583	—	oval head screw M 4 for socket terminal	3
80 54 582	84	gasket for stop light glass	1
80 54 562	85	oval head countersunk screw M 4×8 for fixing of stop light glass	1
80 54 576	86	base plate, rubber	1
80 54 584	87	spring washer B 5	2
80 54 586	88	hex. nut M 5	2
80 54 523	89	stop light support (plate-iron)	1
80 50 550	—	rubber grommet for cable passage through rear portion of body	1
99 78 308	90	bulb K 12 V 15 W for stop light	1
99 78 340	91	bulb L 12 V 5 W for license plate light part No. 80 54 513	1
80 54 516	91	bulb 12 V 10 W for license plate light part No. 80 54 514	1
Fastening parts for support to body:			
80 54 535	—	base	1
99 32 071	—	spring washer B 6	3
99 22 054	—	hex. nut M 6—6 S pho.black.	3
Flasher light			
80 54 547	92	flasher light, left and right	2

80 = Electrical equipment / Horn / Headlamps **Plate 7**

Part No.	Key No.	Description	Qty.
Fastening parts for horn to floor panel:			
99 12 475	—	hex. screw M 8×35—8 G pho.black.	1
80 46 555	—	spacer	1
99 33 087	—	spring washer A 8 cad.	1
99 22 082	—	hex. nut M 8—6 S pho.black.	1
Headlamps			
80 50 056	60	headlamps housing, left	1
80 50 053	—	headlamp housing, right	1
80 50 531	—	headlamp insert with bulb socket	2
80 50 528	61	rim, chromium plated, with screw	2
80 50 553	62	glass	2
80 50 555	63	sealing ring for glass	2
80 50 558	64	spring clip for glass	10
80 50 559	65	support ring	2
80 50 563	66	square nut	4
80 50 574	67	oval head screw	4
80 50 567	68	pressure spring	2
80 50 585	69	washer for lock	2
80 50 587	70	cylinder stud for lock	4
80 50 577	71	parabolic reflector with spring clip	2
80 50 579	72	spring clip for bulb socket	2
80 50 589	73	spacer for reflector support	2
80 50 591	74	fixing pin 4	2
80 50 580	75	bulb socket	2
80 50 583	76	oval head screw M 4 for socket terminal	8
99 78 025	77	bulb B 12 V 35/35 W for high and low beam	2
99 78 254	78	bulb H 12 V 2 W for parking light	2
For headlamp housing to body panel, left and right:			
80 50 536	79	base plate for housing	2
95 32 192	80	washer	8
99 13 439	—	hex. screw M 6×12—8 G pho.black.	7
99 13 457	—	hex. screw M 6×15—8 G pho.black.	1
40 66 530	—	rubber grommet for cable passage through outer panel ..	2

Part No.	Key No.	Description	Qty.
99 76 483	—	lead B 1,5 (×400) Cu. yellow-white, from light switch to fuse box	} can only be supplied in metres
99 76 482	—	lead B 1,5 (×350) Cu. black-yellow, from fuse to wiper	
80 60 500	—	starter cable between starter and terminal for 250 c. c. engine	1
80 60 501	—	starter cable between starter and terminal for 300 c. c. engine	1
99 75 300	—	insulating hose B 8×9,5, black (950 mm long for starter cable of 250 c. c. engine), can only be supplied in metres	1
99 75 312	—	insulating hose B 9×10,4, black (925 mm long for starter cable of 300 c. c. engine), can only be supplied in metres	1
80 60 510	—	lead for flasher and dimmer switch, later part No. 80 60 512	1
80 70 502	—	rubber grommet for starter cable and wiring harness, rear part, in rear wall of body	1
40 84 518	—	grommet in floor panel for cable of stop light switch	1
80 70 530	—	ground cable to engine support	1
80 70 220	—	rubber grommet for lead to flasher and dimmer switch	2
For single leads of instrument panel:			
99 75 282	—	insulating hose B 6×7,2 (×60), black	} can only be supplied in metres
99 75 300	—	insulating hose B 8×9,4 (×4), black	
99 75 320	—	insulating hose B 10×11,4 (×150), black	1
80 70 503	—	rubber grommet for wiring harness	2
For fixing of leads:			
80 70 518	104	clamp for spiral hose	1
80 70 526	105	terminal block, seven poles, for wiring harness	1
80 70 523	106	clamp for spiral hose support at left side panel	1
For the terminal block:			
80 70 542	—	base	3
99 07 710	—	oval head screw Z 2,9×13 pho.black.	6

Part No.	Key No.	Description	Qty.
80 54 581	93	flasher light glass without anti-dazzle device	2
80 54 585	93	flasher light glass with anti-dazzle device	2
80 54 579	94	rubber base	2
99 19 835	95	cylinder stud S 3,9×9,5 pho.black. for flasher light to body	4
99 78 308	96	bulb K 12 V 15 W	4
Tail light			
80 54 542	97	tail light, left and right, compl.	2
80 54 590	98	glass for tail light	2
80 54 592	99	rubber ring	2
80 54 594	100	lock ring	2
99 78 340	101	bulb L 12 V 5 W	2
80 54 541	—	tail light (for Austria)	2
80 54 516	—	bulb 12 V 10 W for tail light part No. 80 54 541	2
Wiring system			
80 66 501	—	wiring harness, medium part	1
80 66 505	—	wiring harness, left part	1
80 66 508	—	wiring harness, rear part	1
80 66 513	—	cables (from instrument panel) with spiral hose	1
80 66 516	102	spiral hose	1
99 76 423	—	lead B 0,75 (×130) Cu. yellow-red from flasher cut-out to control light	} can only be supplied in metres
99 76 424	—	lead B 0,75 (×230) Cu. green, from ignition switch to charging control	
99 76 425	—	lead B 0,75 (×370) Cu. black, from fuse to main light control	
99 76 428	—	lead B 0,75 (×400) Cu. black-blue, from fuse to speedometer lamp	
99 76 423	—	lead B 0,75 (×400) Cu. yellow-red, from fuse to flasher cut-out	
99 76 481	—	lead B 1,5 (×300) Cu. yellow, from ignition starter switch to fuse	
99 76 481	—	lead B 1,5 (×150) Cu. yellow, from ignition starter switch to light switch	

U S - M O D E L

The list "US-Model" deals with the parts which differ from those of the "Production-Model". Parts, which are identical with those of the "Production-Model", are contained in the list covering the „Production-Model" (black print).

80 = Electrical equipment / Instruments		Plate 7	
Part No.	Key No.	Description	Qty.
		For fixing clamp to instrument housing:	
99 01 106	—	oval head countersunk screw AM 5×10—5 S cad.	2
99 22 036	—	hex. nut M 5—6 S pho.black.	2
		Instruments	
80 80 050	107	speedometer 60 Ø, ratio = 1,52 (with bulb)	1
80 80 500	108	instrument panel	1
80 80 512	—	speedometer shaft	1
99 78 279	—	bulb for dial light J 12 V 2 W	1
		For instrument housing to door:	
99 12 485	—	hex. screw M 8×40—8 G cad.	2
99 32 090	—	spring washer B 8 cad.	2
99 22 081	—	hex. nut M 8—6 S cad.	2
		Speedometer shaft support at floor step behind seat:	
80 80 504	—	rubber grommet	1
80 80 508	—	support	1
99 19 835	—	cylinder screw S 3,9×9,5 pho.black.	2

80 = Electrical equipment / US-model

Part No.	Description	Qty.
	For flasher and dimmer switch:	
80 48 572	oval head screw	4
80 48 573	tension plate	2
	Flasher light	
80 54 548	front flasher light, left and right (Hella)	2
80 54 500	bulb with double filament 12 V 32/4 cp.	2
80 54 549	oval head countersunk screw for fixing of frame	4
80 54 526	cover (glass head)	2
80 54 501	intermediate housing for "Hella" flasher light	2
80 54 502	sealing ring between housing and flasher light	2
80 54 503	base between housing and body	2
99 36 135	toothed washer J 6,4 pho.	4
99 13 425	hex. screw M 6×10—8 G pho.black.	4
80 50 550	rubber grommet for wiring harness through side panel, left and right	2
	Flasher, stop and tail light	
80 54 544	flasher, stop and tail light	2
80 54 596	housing	2
80 54 597	insert	2
80 54 528	cover (red glass)	2
80 54 529	rim, chromium plated	2
80 54 500	bulb with double filament 12 V 32/4 cp.	2
	For flasher, stop and tail light to body:	
80 54 598	base	2
80 54 599	hollow screw	2
99 31 089	washer 15 cad.	2
99 21 630	hex. nut 14×1,5—6 S pho.black.	2
	License plate light	
80 54 512	license plate light (Hella)	1
80 54 520	cover with bulb socket, black.	1
80 54 519	bulb 13 V 6 cp.	1

80 = Electrical equipment / US-model

Part No.	Description	Qty.
	US-model	
	Electrical equipment	
	Headlamps	
80 50 532	headlamp (sealed beam)	2
80 50 051	housing, left (Hella)	1
80 50 054	housing, right (Hella)	1
80 50 529	rim, chromium plated, for housing (Hella), left and right	2
80 50 540	spring clip for rim	10
80 70 535	3-pole male plug with contact spring	2
80 70 536	3-pole male plug	2
	For headlamp to body, left and right:	
80 50 537	base plate	2
99 19 481	cylinder stud M 6×25—5 S pho.black.	2
99 19 471	cylinder stud AM 6×18—5 S pho.black.	8
99 33 078	spring washer B 6	8
99 22 054	hex. nut M 6—6 S pho.black.	8
80 50 520	flange, left	1
80 50 522	flange, right	1
80 50 518	reinforcement plate left	1
80 50 519	reinforcement plate right	1
80 50 514	tension plate	2
99 21 631	hex. nut M 14×1,5—6 S, for tension plate	2
99 33 148	spring washer B 14	2
80 50 516	hollow screw	2
	Directional flasher — flasher switch — dimmer switch	
80 48 537	directional flasher 2×25 W 12 V (Hella)	1
80 48 555	flasher switch (Hella)	1
80 48 559	dimmer switch (Hella)	1
80 54 505	clamp for flasher and dimmer switch to steering column guide ..	1

80 = Electrical equipment / US-model

Part No.	Description	Qty.
	Tandem windscreen wiper	
80 44 060	windscreen wiper, compl.	1
80 44 052	wiper motor	1
80 44 520	wiper lever support	1
80 44 521	connection rod	1
80 54 510	wiper arm	2
80 44 514	wiper blade	2
	For tandem wiper to door (only for later equipment for cars, which have no dent at door inner panel for tandem wiper)	
80 44 522	supporting bracket	1
60 50 508	shim 1,2 (as required)	2
60 50 509	shim 2 (as required)	2
60 50 510	shim 3 (as required)	2
99 16 222	oval head screw S 2,9×6,5, nickel-plated	2
	Speedometer	
80 80 053	speedometer (miles)	1

80 = Electrical equipment / US-model

Part No.	Description	Qty.
	Wiring harness	
80 66 502	wiring harness (medium part)	1
80 66 506	wiring harness (left part)	1
80 66 509	wiring harness (rear part)	1
	Leads	
80 66 514	cables of instrument housing	1
80 66 528	lead for headlamp, left (to 10-pole terminal block at wheel housing)	1
80 66 529	lead for headlamp, right (to 3-pole terminal block at wheel housing)	1
80 66 511	lead for flasher light and dimmer switch	1
	For the leads:	
80 66 521	nipple bushing	5
80 70 503	rubber grommet 2 K } for cables of instrument panel	5
80 66 522	nipple of lead for flasher light and dimmer switch	5
	Fuse box	
80 48 539	6-pole fuse box	1
99 78 810	fuses 8	6
	Terminal block	
80 70 527	10-pole terminal block	1
80 70 543	base	1
	Terminal block at wheel housing, right:	
80 70 228	3-pole terminal block	1
80 70 544	base	1
99 07 710	oval head screw Z 2,9×13 pho.black.	2

TROPICAL MODEL

The list "Tropical Model" deals with the parts which differ from those of the "Production-Model". Parts, which are identical with those of the "Production-Model", are contained in the list covering the "Production-Model" (black print).

80 = Electrical equipment / Tropical model

Part No.	Description	Qty.
Electrical equipment		
Battery:		
80 42 052	battery 12 V 24 Ah	1
80 42 531	cover, tropic version	1
Windscreen wiper:		
For left-hand drive		
88 44 060	windscreen wiper	1
80 44 052	wiper motor	1
80 44 510	wiper arm	1
80 44 114	wiper blade	1
For windscreen wiper to door		
(only for cars which have no dent at door inner panel for wiper)		
80 44 522	supporting bracket	1
60 50 508	shim 1/2	2
60 50 509	shim 2	2
60 0 510	shim 3	2
99 1 2 22	oval head screw S2.9X.5 nickel plated	2
80 80 053	speedometer (miles)	1